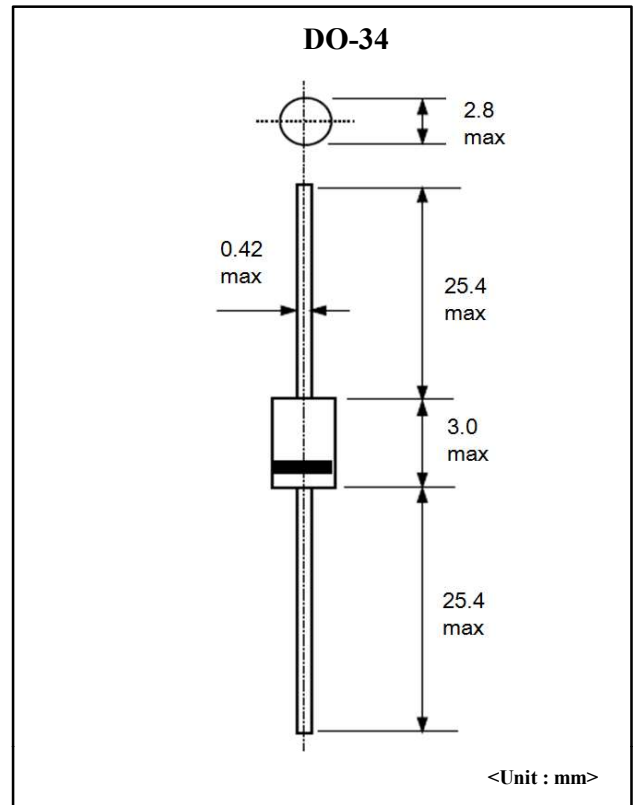
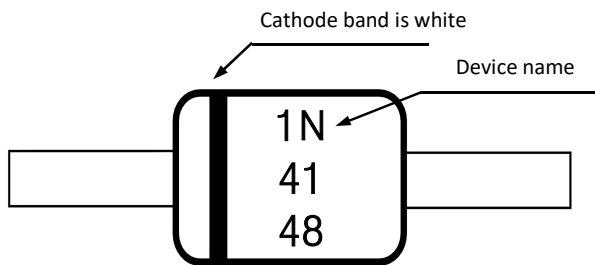


High Speed Switching Diode
Reverse Voltage 60 Volts Forward Current 0.13 Ampere
Features

- High switching speed
- For general purpose switching applications
- Low leakage current
- Repetitive peak forward current : max. 450 mA.

Typical Applications

- High-speed switching.

Marking

Maximum Ratings & Electrical Characteristics (Ta=25°C unless otherwise noted)

Parameter	Symbol	Rated Value	Unit	Remark
Maximum Repetitive Peak Reverse Voltage	V_{RRM}	60	V	
Reverse Voltage	V_R	50	V	
Mean Rectifying Current	I_O	130	mA	
Peak Forward Current	I_{FM}	450	mA	
Forward Surge Current	I_{FSM}	700	mA	
Power Dissipation	P_d	250	mW	
Maximum Instantaneous Forward Voltage	V_F	1.0	V	$I_F=10mA$
		1.1	V	$I_F=100mA$
Maximum Reverse Current	I_R	0.5	uA	$V_R=50V$
		5.0	uA	$V_R=75V$
Typical Junction Capacitance	C_J	3.0	pF	Note 1
Maximum Reverse Recovery Time ($I_F=10mA, V_R=6V, R_L=100\Omega$)	t_{rr}	3.0	ns	
Maximum Junction Temperature	T_J	175	°C	
Storage Temperature Range	T_{STG}	-65 to +175	°C	

Note 1. Measured at 1.0MHz and applied reverse voltage of Zero volts

Ratings and Characteristics Curves (Ta=25°C unless otherwise noted)

Fig.1 Typical Instantaneous Forward Characteristics

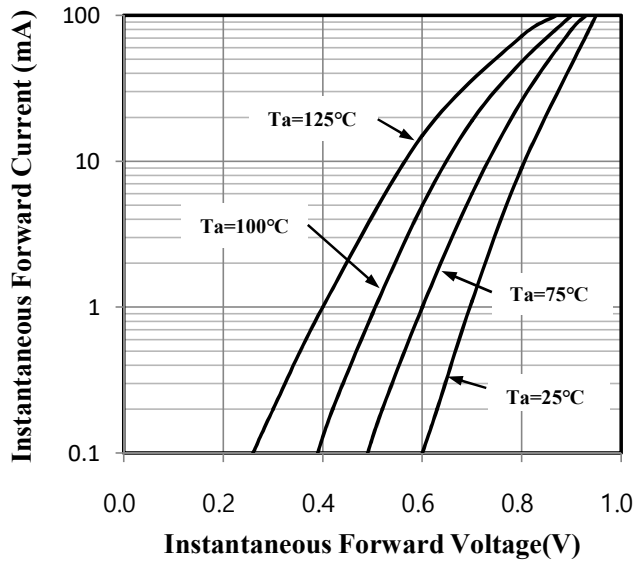


Fig.2 Typical Junction Capacitance

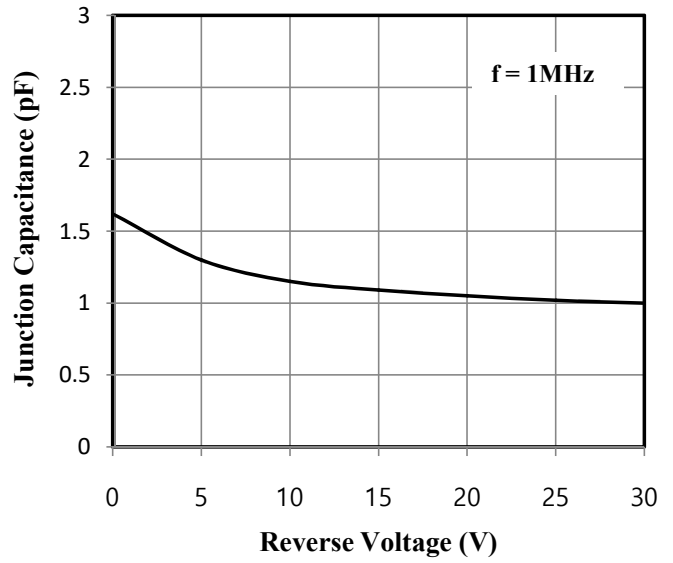


Fig.3 Typical Reverse Characteristics

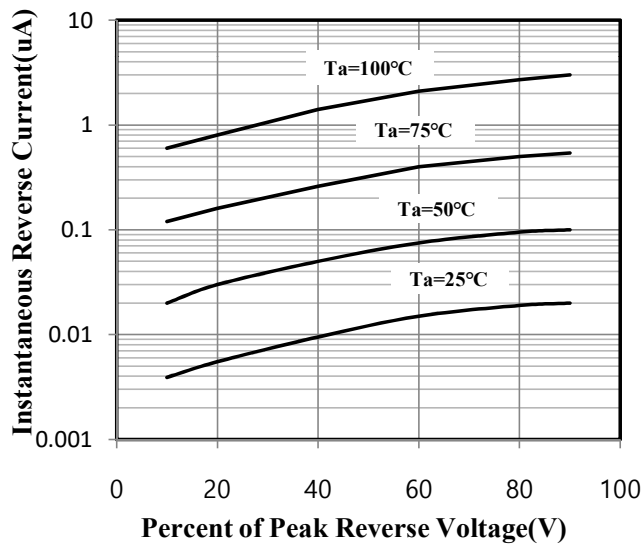


Fig.4 Maximum non-repetitive time surge current

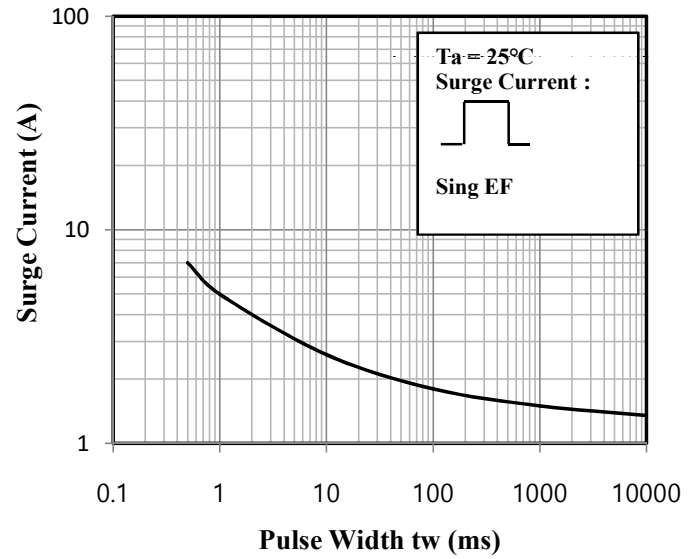


Fig.5 Reverse Recovery Time

